



# LAEVO STRUCTURES V2.5X

**Instructions for use**

August 2020: for USA and Canada

---

**EN**

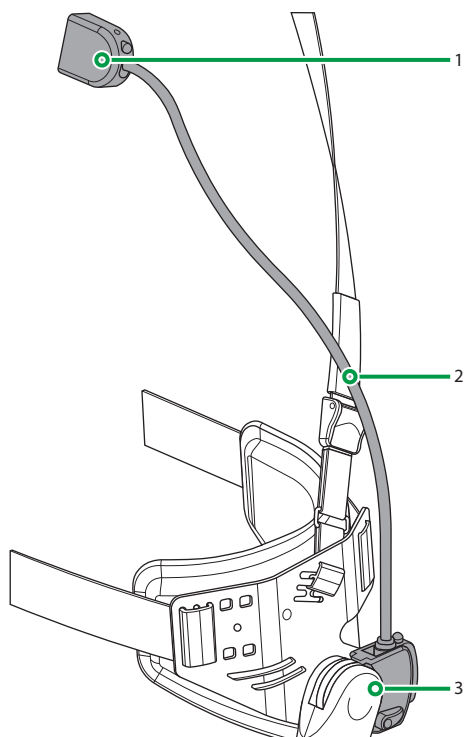
Instructions for use



# Content

|          |                                    |           |
|----------|------------------------------------|-----------|
| <b>1</b> | <b>Introduction</b>                | <b>5</b>  |
|          | 1.1 Variants                       | 5         |
|          | 1.2 Explanation of warning symbols | 5         |
| <b>2</b> | <b>Application</b>                 | <b>6</b>  |
| <b>3</b> | <b>Disassembly</b>                 | <b>6</b>  |
| <b>4</b> | <b>Assembly</b>                    | <b>6</b>  |
| <b>5</b> | <b>Figures</b>                     | <b>7</b>  |
| <b>6</b> | <b>Legal information</b>           | <b>11</b> |
|          | 6.1 Liability                      | 11        |
|          | 6.2 Warranty                       | 11        |

# Overview



- 1. Chestpad
- 2. Torso Structure
- 3. SmartJoint

# 1 Introduction

Thank you for choosing Laevo.

This document gives instructions for use, safety, fitting and maintenance of a part of the Laevo.

- ▶ Read carefully before use.
- ▶ Keep for future reference.
- ▶ Follow the safety instructions.
- ▶ Instruct the user in proper and safe use of the product.


If you have questions, call Laevo or your supplier. Laevo's contact information is on the last page.

## 1.1 Variants

All instructions are for LAEVO B | | XO 2.5X and USA/Canada only.

The illustrations are general examples; your product can be different from the illustrations.


## 1.2 Explanation of warning symbols

 **DANGER!** Indicates potential life-threatening or disabling injury.

 **WARNING!** Indicates potential serious injury.

 **CAUTION:** indicates potential minor injury.

 **NOTICE:** indicates potential product damage.

 **TIP:** Information and tips to make it even easier to use the Laevo.

Get more tips at [www.laevo-exoskeletons.com](http://www.laevo-exoskeletons.com).

## 2 Application

These parts are meant only to be used in a complete LAEVO V2 exoskeleton:

1. Check if all parts are supplied (Figure 2.1)
2. Check the LAEVO revision number on the label on the inside of the SmartJoint. Use these Torso Structures only with the following serial numbers: V2.5xxxxx to V2.57xxxx (x can be any number).

## 3 Disassembly

1. Push the button on the left SmartJoint (Figure 3.1).
2. Slide the left Torso Structure out of the SmartJoint (Figure 3.2).
3. Push the button on the left side of the Chestpad (Figure 3.3).
4. Slide the left Torso Structure out of the Chestpad (Figure 3.4).
5. Repeat for right side.

## 4 Assembly

- ⓘ **NOTICE:** Installation has to be done by a qualified person. Not comfortable with bolts or screws? Let someone else handle it.
1. Use the Torso Structure with indicator "L" for the left side of the body.
  2. Push the button on the left side of the Chestpad (Figure 4.1).

3. Move the Torso Structure in the hole to a comfortable width setting. There are 3 width settings (Figure 4.2).
4. Release the button (Figure 4.3).
5. Push the button on the left SmartJoint (Figure 4.4).
6. Move the left Torso Structure in the hole to a comfortable height setting (Figure 4.5).
7. Rotate the indentations towards the button to make sure the parts can lock (Figure 4.6).
8. Release the button (Figure 4.7).
9. Repeat for right side.

## 5 Figures

Figure 2.1

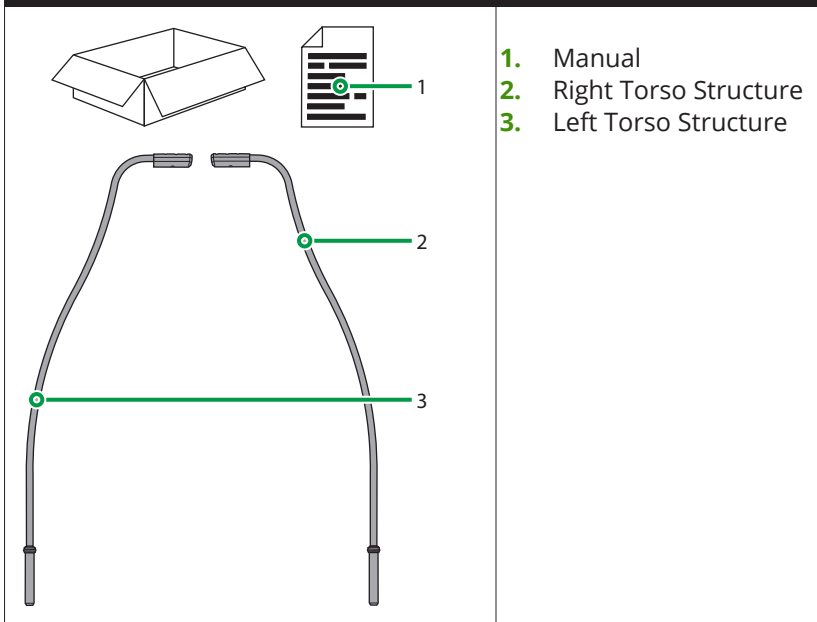


Figure 3.1

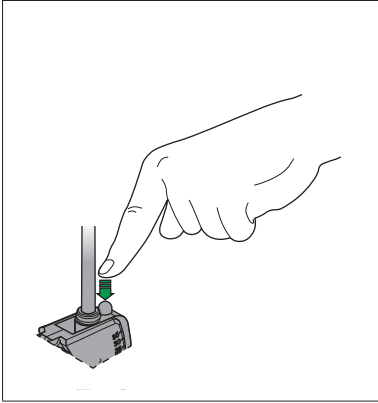


Figure 3.2

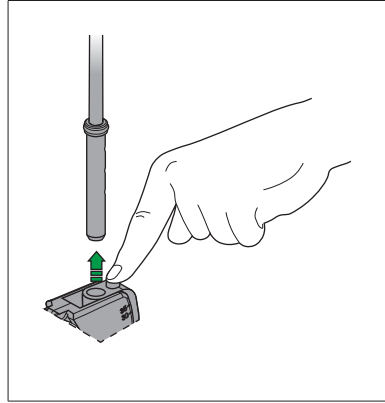


Figure 3.3

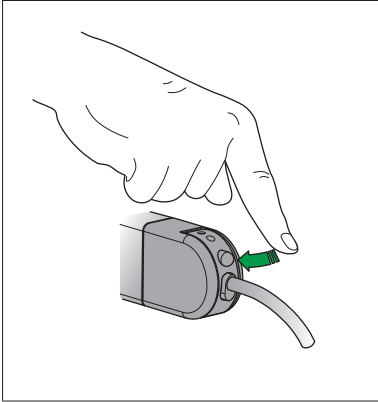


Figure 3.4

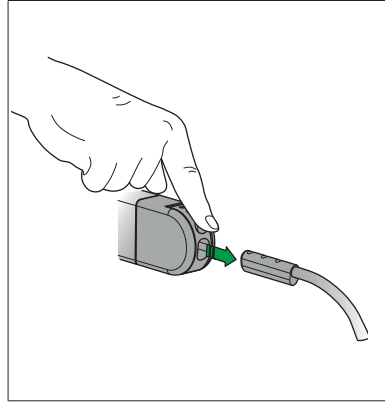




Figure 4.1

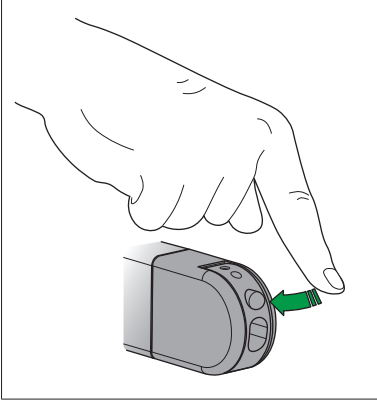


Figure 4.2

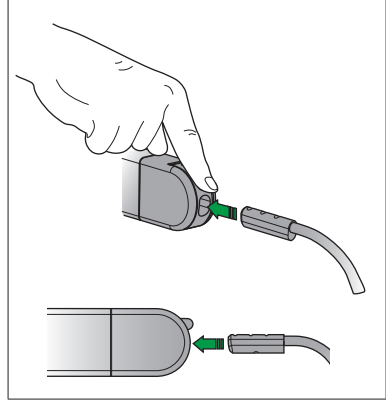


Figure 4.3

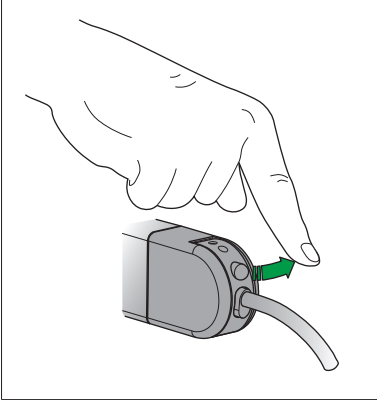


Figure 4.4

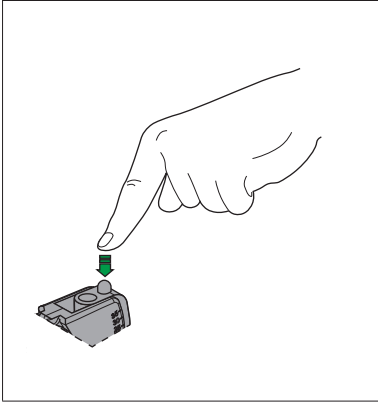


Figure 4.5

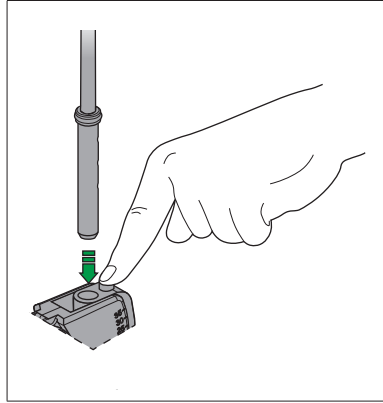


Figure 4.6

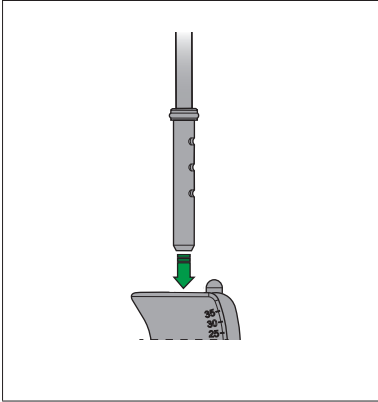
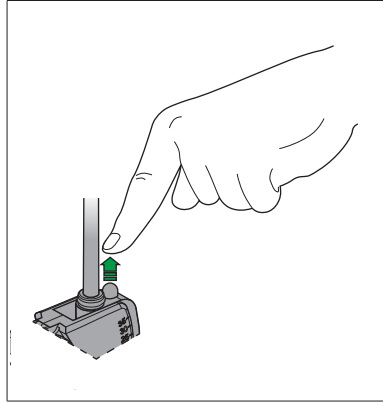


Figure 4.7



# 6 Legal information

## 6.1 Liability

Laevo B.V. cannot be held liable for:

- ▶ Personal injury or damage to property as a result of a user or third party not following the recommendations and warnings contained in this manual.
- ▶ Damage due to changes and/or alterations to the original product; wear and damage caused by the user due to improper use; damage due to use of non-original replacement parts.

## 6.2 Warranty

The Laevo Business Warranty covers the product. This can be found at [www.laevo-exoskeletons/legal/](http://www.laevo-exoskeletons/legal/). Contact Laevo or your supplier to obtain a printed version.

# Contact

## Manufacturer

laevo



Laevo B.V.

Patrijsweg 30

2289 EX Rijswijk, the Netherlands

[www.laevo-exoskeletons.com](http://www.laevo-exoskeletons.com)

+31 15 30 20 025